

# SpeedROC 2FA

Hydraulic drill attachment for marble, granite and limestone in the dimension stone industry.

Hole diameter: 28–45 mm (1.1"–1.75")



# An on-shelf solution with productivity in mind

The SpeedROC 2FA is a versatile hydraulic drill attachment for a crawler track excavator. Once attached it is the perfect drilling solution even for the toughest quarry conditions.

It is equipped with two hydraulic rock drills with flexible drilling capacity. This means excellent results in both bench drilling and block dressing. This is a flexible solution because the attachment can be mounted on all the main excavator models. Since we always put safety first, the SpeedROC 2FA can be radio remote controlled for both drilling and positioning. Even the tramming operations on your excavator can be controlled by our radio remote system.

## ⊕ Main benefits

**Fast drilling and positioning** gives high productivity

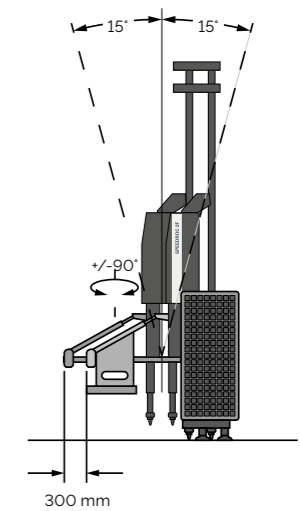
**Safety first** with radio remote controlled positioning and drilling operations

**Good working environment** with dust collection system (DCT) or water mist (option)

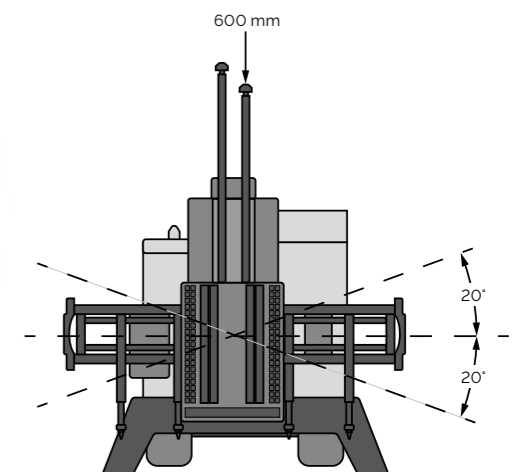
Fast drilling and positioning gives high productivity.

Protective guard for operator safety.

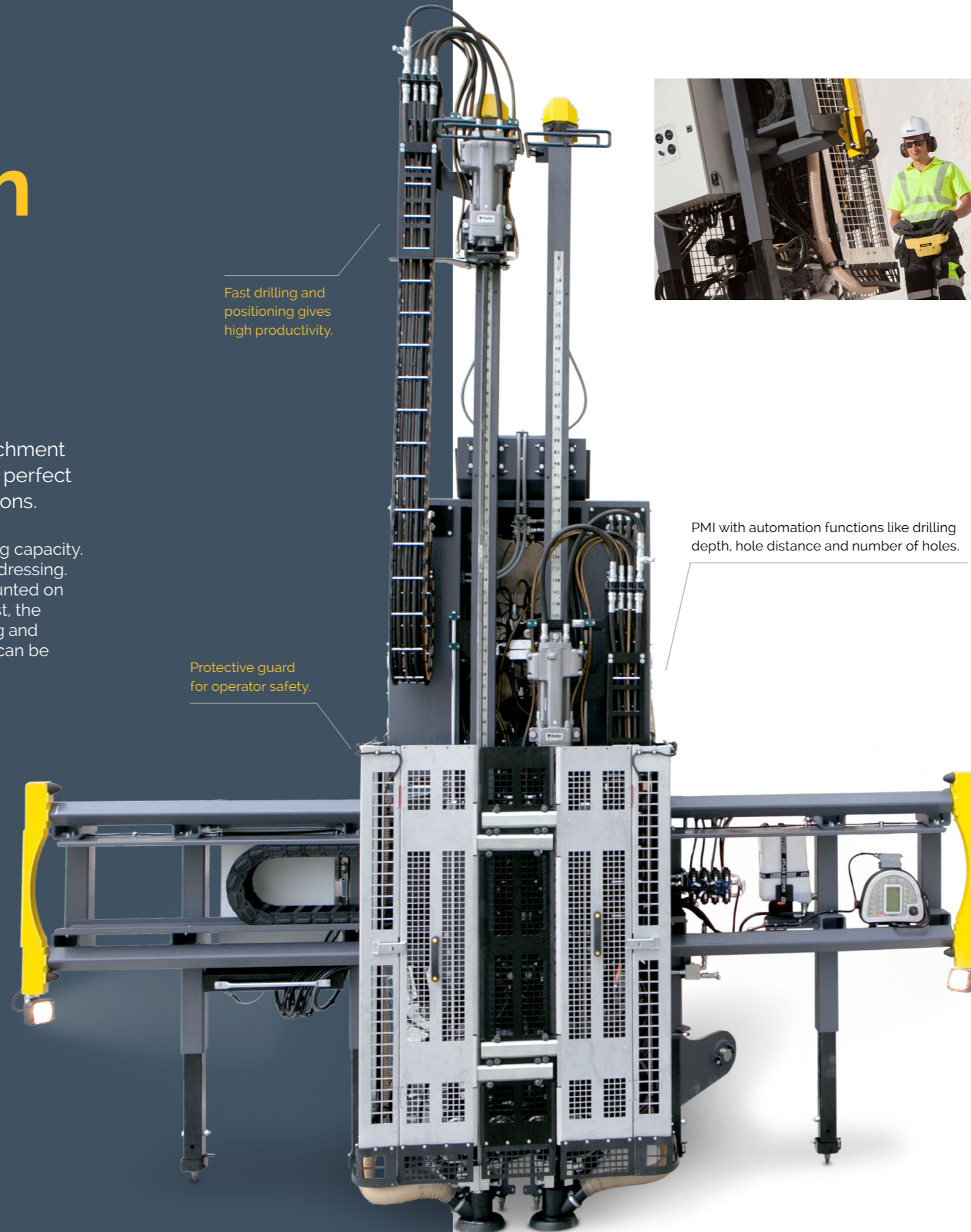
PMI with automation functions like drilling depth, hole distance and number of holes.



Drilling angles, side view



Drilling angles, front view



## United in performance. Inspired by innovation.

Performance unites us, innovation inspires us, and commitment drives us to keep moving forward. Count on Epiroc to deliver the solutions you need to succeed today and the technology to lead tomorrow.  
**[epiroc.com](http://epiroc.com)**

